

ZEXIA

Passenger Elevator with Machine Room

- **Planning**
- **Standard Dimensions**
- **Power Supply Data**

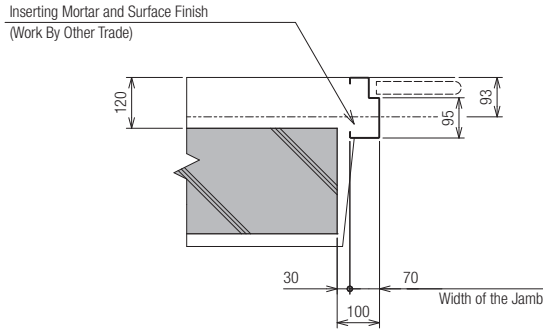
■ **Travel of 40m or less**

In Compliance With the Standards of EN81-20 and EN81-50

PLANNING

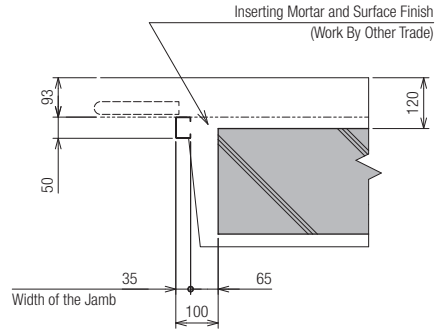
450kg 2-Panel Right-side Opening Door (2SR) (Opposite for 2SL)

Narrow Jamb



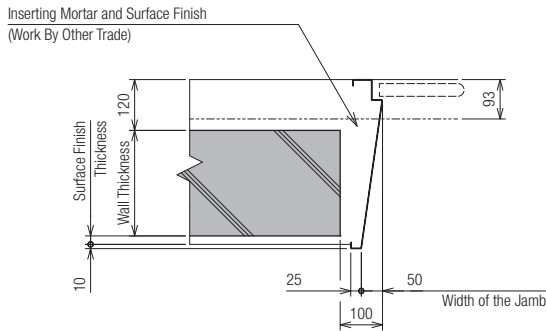
Left Side

-Door-



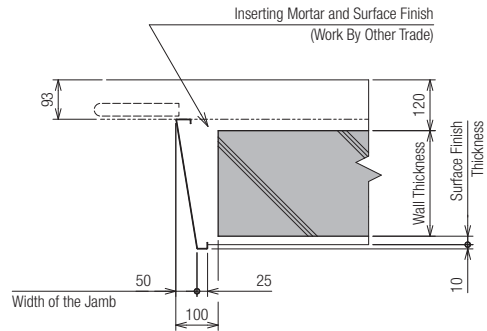
Right Side

Wide Jamb



Left Side

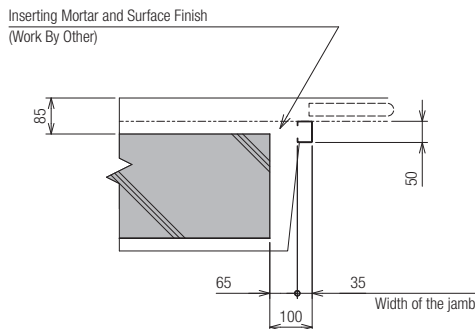
-Door-



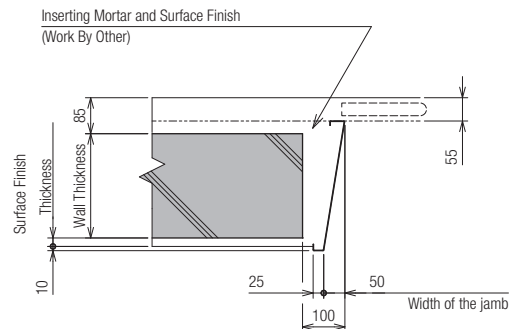
Right Side

630 to 2000kg 2-Panel Center-Opening Door (2CO)

Narrow Jamb



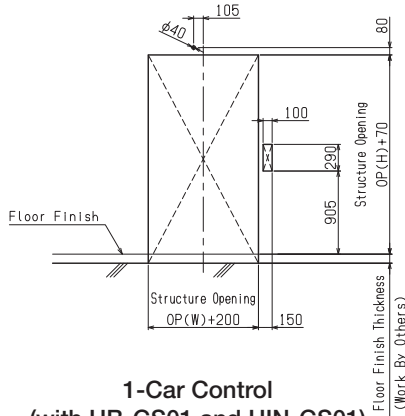
Wide Jamb



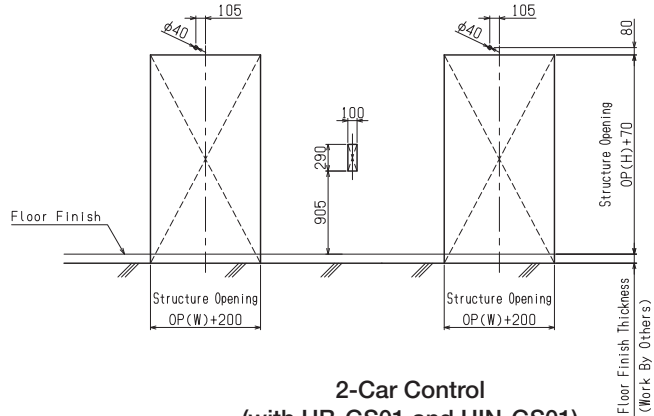
PLANNING

Standard Hole Plan at landing to comply with EN81-70 Requirements; -With standard landing fixtures (Wall-Mounted type fixtures)

Bottom Terminal Floor

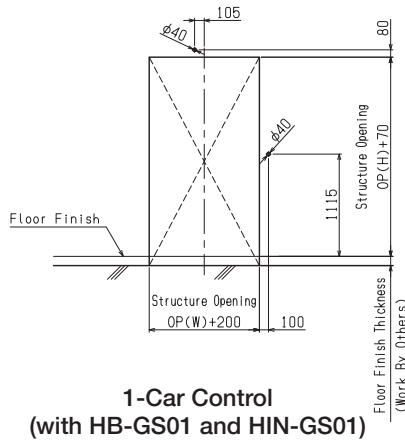


1-Car Control
(with HB-GS01 and HIN-GS01)

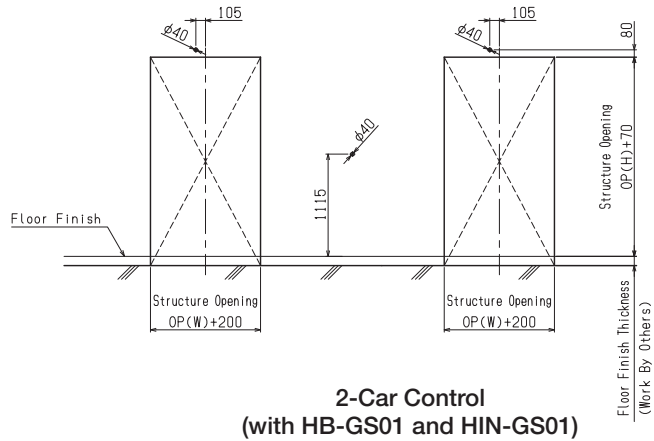


2-Car Control
(with HB-GS01 and HIN-GS01)

The Other Floors except Bottom Terminal Floor



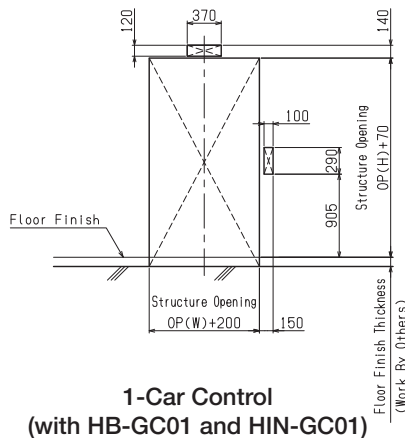
1-Car Control
(with HB-GS01 and HIN-GS01)



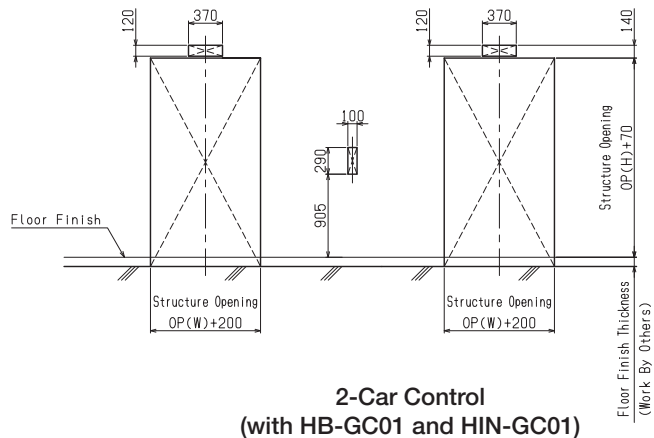
2-Car Control
(with HB-GS01 and HIN-GS01)

-With optional landing fixtures (Box type fixtures)

All Floors



1-Car Control
(with HB-GC01 and HIN-GC01)

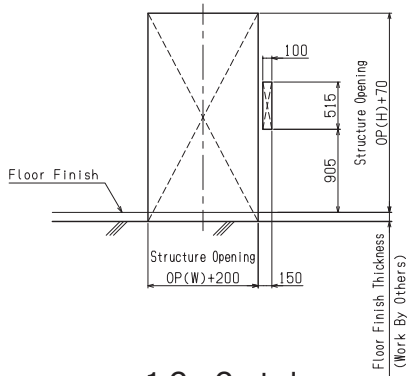


2-Car Control
(with HB-GC01 and HIN-GC01)

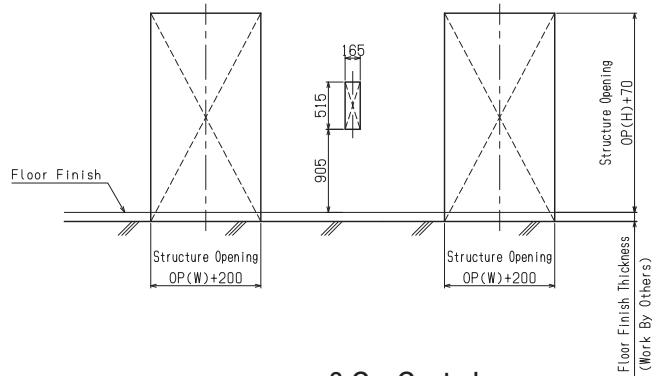
Standard Hole Plan at landing (non-EN81-70);

-With standard landing fixtures (Wall-Mounted type fixtures)

Bottom Terminal Floor

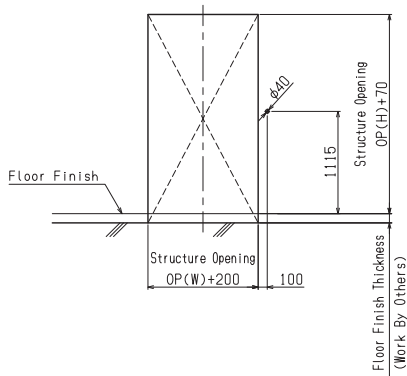


**1-Car Control
(With IN-GS01)**

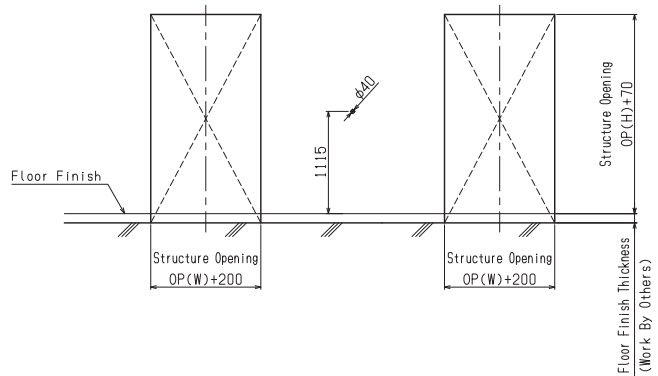


**2-Car Control
(With IN-GS02)**

The Other Floors except Bottom Terminal Floor



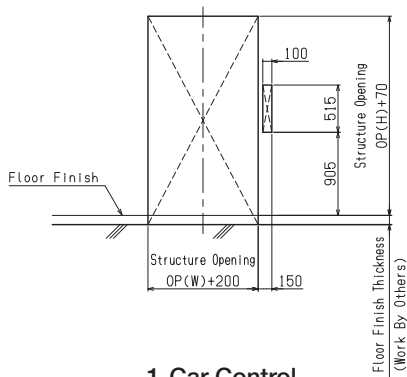
**1-Car Control
(With IN-GS01)**



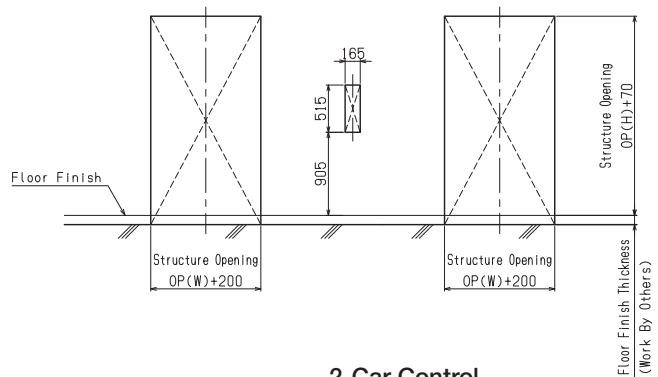
**2-Car Control
(With IN-GS02)**

-With optional landing fixtures (Box type fixtures)

All Floors



**1-Car Control
(With IN-GS01)**



**2-Car Control
(With IN-GS02)**

STANDARD DIMENSIONS

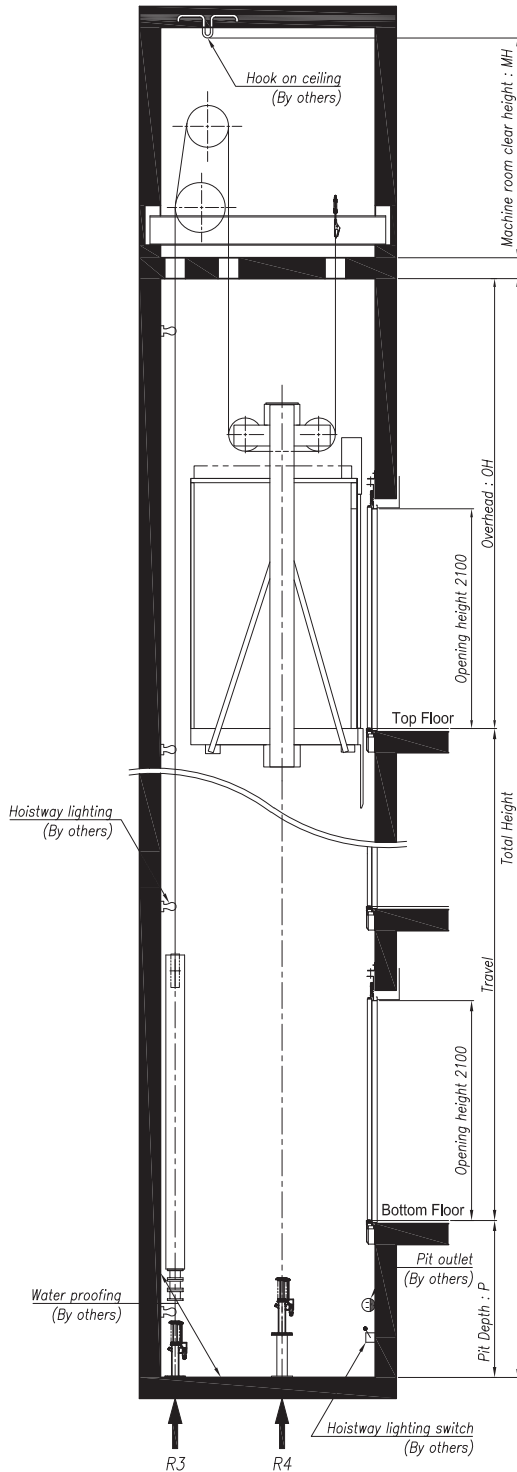
Counterweight at the rear

Capacity (kg)	Speed (m/s)	Opening Type	Car Inside A x B (mm)	Opening W x H (mm)	Hoistway X x Y (mm)	Machine Room Size MX x MY x MH (mm)	Pit Depth P (mm)	Overhead OH (mm)	Machine room reaction (kN)		Pit reaction (kN)	
									R1	R2	R3	R4
450	1	2S	1000x1200	800x2100	1490x1800	1660x1800x2200	1580	4150	39	25	57	65
	1.5						1680	4290				
	1.75						1710	4360				
450	2	2S	1000x1250	800x2100	1490x1850	1660x1850x2200	1780	4450	40	25	57	65
	1						1580	4150				
	1.5						1680	4290				
630	1.75	2CO	1400x1100	800x2100	1800x1630	1800x1630x2200	1710	4740	46	29	67	79
	2						1780	4830				
	2.5						1940	4960				
630	1	2CO	1100x1400	900x2100	1940x1960	1940x1960x2200	1150	4690	45	30	67	79
	1.5						1250	4830				
	1.75						1280	4900				
800	2	2CO	1400x1350	800x2100	1940x1980	1940x1980x2200	1350	4990	69	37	95	105
	2.5						1640	5290				
	3						2330	5680				
800	1	2CO	1400x1350	800x2100	1800x1880	1800x1880x2200	1150	4420	76	42	107	122
	1.5						1250	4560				
	1.75						1280	4620				
1050	2	2CO	1600x1500	900x2100	2000x2060	2000x2060x2200	1350	4050	77	42	105	125
	2.5						1640	4350				
	3						2330	4710				
1050	3.5	2CO	1600x1500	900x2100	2030x2080	2030x2080x2200	3930	5280	101	56	137	168
	4						4300	5680				
	1						1150	3750				
1200	1.5	2CO	1800x1500	1100x2100	2340x2060	2340x2060x2200	1250	3890	84	45	114	137
	1.75						1280	3960				
	2						1350	4050				
1200	2.5	2CO	1800x1500	1100x2100	2340x2080	2340x2080x2200	1640	4350	110	61	148	184
	3						2330	4710				
	3.5						3930	5280				
1275	4	2CO	2000x1400	1100x2100	2350x2180	2350x3530x2850	4300	5680	111	62	154	192
	1						1150	3750				
	1.5						1250	3890				
1275	1.75	2CO	2000x1400	1100x2100	2400x1980	2400x1980x2200	1280	3960	88	48	124	149
	2						1350	4050				
	2.5						1640	4350				
1350	3	2CO	2000x1500	1100x2100	2430x1980	2430x1980x2200	2330	4740	112	63	152	189
	3.5						3930	5290				
	4						4300	5690				
1350	1	2CO	2000x1500	1100x2100	2400x2080	2400x2080x2200	1150	3750	93	50	129	156
	1.5						1250	3890				
	1.75						1280	3960				
1600	2	2CO	2000x1750	1100x2100	2430x2080	2430x2080x2200	1350	4050	115	64	155	194
	2.5						1640	4350				
	3						2330	4710				
1600	3.5	2CO	2000x1750	1100x2100	2480x2430	2480x4130x2850	3930	5290	117	65	161	202
	4						4300	5690				
	1						1260	3870				
1600	1.5	2CO	2000x1750	1100x2100	2400x2350	2400x2350x2200	1350	4010	106	56	147	178
	1.75						1390	4080				
	2						1450	4170				
2000	2.5	2CO	2200x1900	1200x2100	2430x2350	2430x2350x2200	1760	4470	128	83	174	221
	3						2330	4760				
	3.5						4020	5310				
2000	4	2CO	2200x1900	1200x2100	2600x2500	2600x2500x2200	4480	5710	128	84	179	226
	1.0						1260	3870				
	1.5						1350	4010				
2000	1.75	2CO	2200x1900	1200x2100	2680x2470	2680x2750x2850	1390	4080	107	56	168	207
	2						1450	4170				
	2.5						1760	4470				
2000	3	2CO	2200x1900	1200x2100	2680x2580	2680x4380x2850	2330	4760	122	77	199	254
	3.5						4020	5310				
	4						4580	5710				

Note:

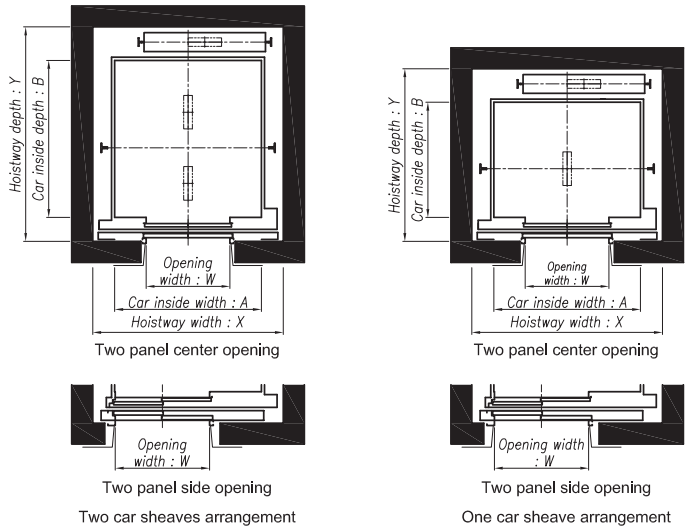
1. The above dimensions may be affected by the selections of elevator specification and the given hoistway size.
2. The above dimensions are based on the Travel of 40m or less.
3. The above overhead is based on the ceiling design of CT-GS01.
4. The incompliance of the actual hoistway with the above required hoistway size affect the overhead.
5. The above pit depth is based on the provision of PVC tile with 2-mm thickness.
6. Refer to Work by Others for the Acceptable Inclination of Hoistway's Vertical Centreline.
7. For hoistway, machine room, pit, and overhead, the minimum dimensions are stated above. Tolerance for pit depth and overhead height is + 50 / -0mm.

Plan for rear counter weight



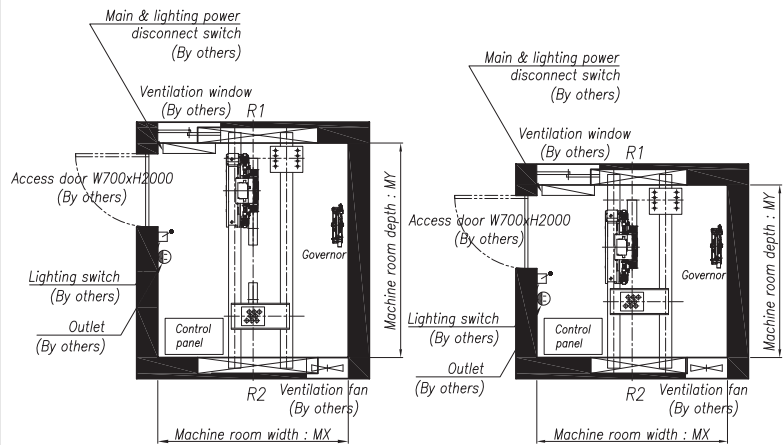
Hoistway Sectional Elevation

Note: Hoistway section for one car sheave arrangement is slightly different from the above figure.



Hoistway Plan

450kg <= Capacity <= 2000kg



Machine Room Plan

Note: When the elevator speed is 3.0m/s and the machine room width is the same as the hoistway width, it is required to cut out the machine room wall to prevent interference with governor machine.

STANDARD DIMENSIONS

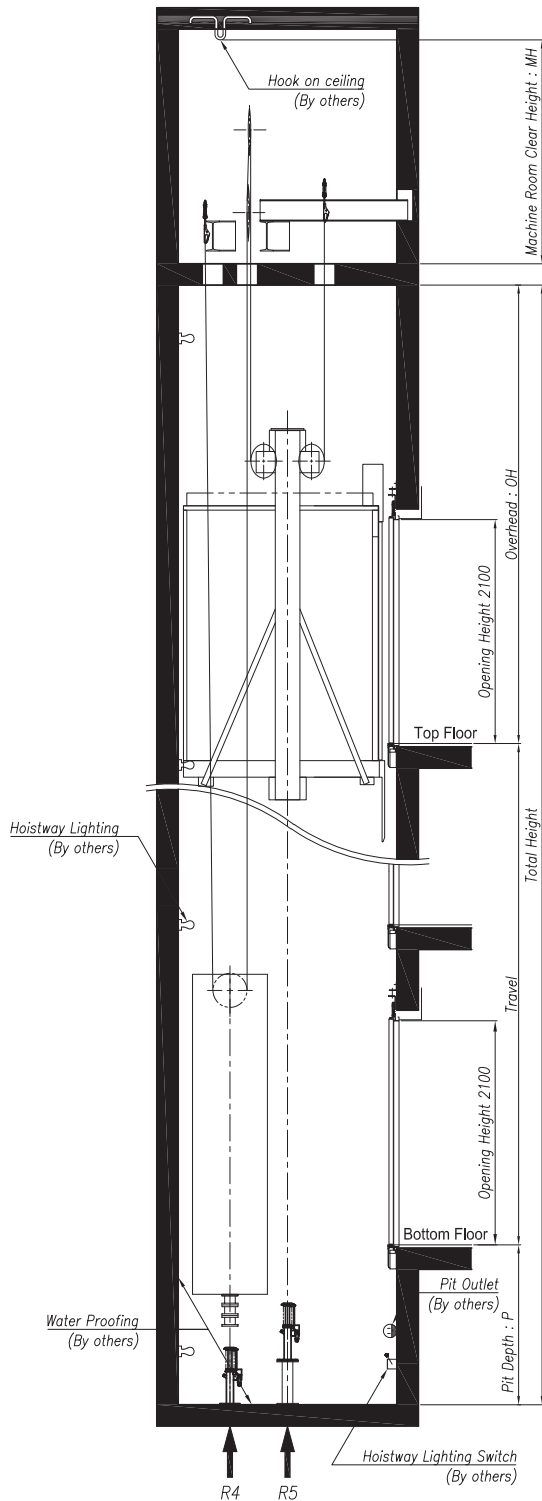
Counterweight at the side

Capacity (kg)	Speed (m/s)	Opening Type	Car Inside A x B (mm)	Opening W x H (mm)	Hoistway X x Y (mm)	Machine Room Size MX x MY x MH (mm)	Pit Depth P (mm)	Overhead OH (mm)	Machine room reaction (kN)			Pit reaction (kN)	
									R1	R2	R3	R4	R5
800	1	2CO	1100x1800	800x2100	1860x2110	1860x2110x2200	1150	3850	76	35	8	107	122
	1.5						1250	3990					
	1.75						1280	4060					
	2						1350	4150					
	2.5						1640	4390					
	3						2330	5700					
1050	1	2CO	1100x2100	900x2100	1960x2410	1960x2410x2200	1150	3850	77	33	9	105	125
	1.5						1250	3990					
	1.75						1280	4060					
	2						1350	4150					
	2.5						1640	4390					
	3						2330	4760					
	3.5				2330x2510	2330x3110x2850	4380	5290	99	58	12	137	168
	4						4650	5690	100	58	12	142	176
1200	1	2CO	1300x2100	1100x2100	2340x2410	2340x2410x2200	1150	4120	83	37	10	114	137
	1.5						1250	4260					
	1.75						1280	4320					
	2						1350	4420					
	2.5						1640	4660					
	3						2330	4950					
	3.5				2630x2510	2630x3110x2850	4380	5290	101	55	16	148	184
	4						4650	5690	103	55	16	154	192
1350	1	2CO	1300x2300	1100x2100	2340x2610	2340x2610x2200	1150	4120	93	41	10	129	156
	1.5						1250	4260					
	1.75						1280	4320					
	2						1350	4420					
	2.5						1640	4660					
	3						2330	4950					
	3.5				2680x2610	2680x3110x2850	4380	5340	105	60	16	155	194
	4						4650	5740	106	61	16	161	202
1600	1	2CO	1400x2400	1100x2100	2340x2750	2340x2750x2200	1260	4120	106	40	17	147	178
	1.5						1350	4260					
	1.75						1390	4320					
	2						1450	4420					
	2.5						1760	4660					
	3						2330	4950					
	3.5				2780x2900	2780x3450x2850	4820	5370	123	68	21	174	221
	4					2780x3650x2850	5080	5770	124	69	21	179	226
2000	1	2CO	1500x2700	1200x2100	2540x3010	2540x3010x2200	1260	4120	105	43	16	168	207
	1.5						1350	4260					
	1.75						1390	4320					
	2						1450	4420					
	2.5						1760	4660					
	3						2330	4950					
	3.5				2730x3140x2850	2730x3140x2850	2330	4950	121	63	16		
	4				2930x3050	3000x3850x2850	4820	5370	147	79	22	199	254
			5080	5770	150	81	23	209	266				

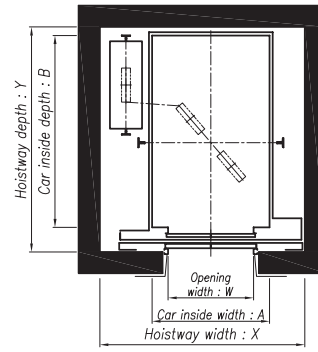
Note:

1. The above dimensions may be affected by the selections of elevator specification and the given hoistway size.
2. The above dimensions are based on the Travel of 40m or less.
3. The above overhead is based on the ceiling design of CT-GS01.
4. The incompliance of the actual hoistway with the above required hoistway size affect the overhead.
5. The above pit depth is based on the provision of PVC tile with 2-mm thickness.
6. Refer to Work by Others for the Acceptable Inclination of Hoistway's Vertical Centerline.
7. For hoistway, machine room, pit, and overhead, the minimum dimensions are stated above. Tolerance for pit depth and overhead height is + 50 / -0mm.

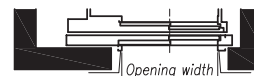
Plan for side counter weight



Hoistway Sectional Elevation



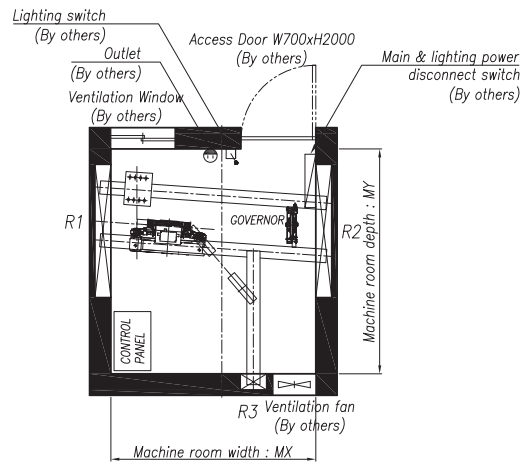
Two panel center opening



Two panel side opening

Hoistway Plan

800kg <= Capacity <= 2000kg



Machine Room Plan

POWER SUPPLY DATA

Capacity (kg)	Speed (m/s)	Motor Power (kW)	Rated Current (A)	Acceleration Current (A)	Equivalent Current (A)	Power Capacity (kVA)	Fuse Current (A)	Allowable Maximum Length of Main Power Feeder Line (m)									Heat Generation Rate in Machine Room (kJ/h)	Air Ventilation Rate in Machine Room (m³/h)
								4 mm²	6 mm²	10 mm²	16 mm²	25 mm²	35 mm²	50 mm²	70 mm²	95 mm²		
450	1.0	3.0	8	13	5	4	16	135	201	337	543	-	-	-	-	-	2550	300
	1.5	4.0	10	21	7	5	16	103	153	257	414	-	-	-	-	-	3800	450
	1.75	5.0	12	24	8	6	20	90	134	225	362	-	-	-	-	-	4400	520
	2.0	6.0	13	28	9	7	20	-	115	193	310	476	-	-	-	-	5050	600
630	1.0	4.0	10	17	6	5	16	108	161	270	434	-	-	-	-	-	3550	420
	1.5	6.0	14	26	8	6	20	-	115	193	310	476	-	-	-	-	5300	630
	1.75	7.0	16	30	10	7	20	-	100	168	271	416	-	-	-	-	6200	730
	2.0	8.0	17	37	11	8	20	-	-	146	235	360	491	-	-	-	7050	830
	2.5	10.0	23	51	15	11	25	-	-	-	170	261	356	466	-	-	8800	1040
800	1.0	5.0	13	24	7	5	16	83	124	207	334	-	-	-	-	-	4500	530
	1.5	7.0	18	34	10	7	20	-	89	150	241	370	-	-	-	-	6700	790
	1.75	9.0	20	40	11	8	20	-	80	135	217	333	-	-	-	-	7850	920
	2	10.0	22	48	13	10	25	-	-	112	181	277	378	-	-	-	8950	1060
	2.5	13.0	30	72	20	14	40	-	-	-	120	185	252	330	-	-	11200	1320
	3.0	15.0	29	62	19	14	32	-	-	-	140	215	293	384	-	-	13400	1580
1050	1.0	7.0	15	25	8	6	16	72	107	180	289	-	-	-	-	-	5900	690
	1.5	10.0	21	36	11	8	20	-	-	128	207	317	432	-	-	-	8800	1040
	1.75	11.0	24	42	13	10	25	-	-	112	181	277	378	-	-	-	10300	1210
	2.0	13.0	26	49	15	11	25	-	-	103	167	256	349	-	-	-	11750	1380
	2.5	17.0	36	72	22	16	40	-	-	-	120	185	252	330	-	-	14700	1730
	3.0	20.0	38	79	24	17	40	-	-	-	-	168	230	301	408	-	17600	2070
1200	1.0	7.0	17	28	9	7	20	63	94	158	255	-	-	-	-	-	6700	790
	1.5	11.0	24	40	13	10	25	-	-	112	181	277	378	-	-	-	10050	1190
	1.75	13.0	27	47	15	11	32	-	-	100	161	246	336	-	-	-	11750	1380
	2.0	14.0	30	57	17	12	32	-	-	-	144	222	303	396	-	-	13400	1580
	2.5	19.0	37	64	21	15	40	-	-	-	117	180	245	321	-	-	16750	1980
	3.0	23.0	43	88	27	19	50	-	-	-	-	151	206	270	366	-	20100	2370
1350	1.0	8.0	19	30	10	7	20	-	84	142	228	350	-	-	-	-	7550	890
	1.5	12.0	27	44	14	10	32	-	-	100	161	246	336	-	-	-	11350	1340
	1.75	14.0	31	52	17	12	32	-	-	87	140	215	293	-	-	-	13200	1560
	2.0	16.0	35	62	19	14	40	-	-	-	124	190	259	340	-	-	15100	1780
	2.5	21.0	41	74	24	17	50	-	-	-	-	162	221	290	393	-	18850	2220
	3.0	25.0	48	101	30	21	50	-	-	-	-	132	180	235	319	-	22650	2670
1600	1.0	10.0	23	39	12	9	25	-	70	117	189	289	-	-	-	-	8950	1060
	1.5	14.0	33	56	17	12	40	-	-	81	131	202	275	-	-	-	13400	1580
	1.75	17.0	38	66	20	14	40	-	-	-	114	175	239	313	-	-	15650	1840
	2.0	19.0	42	79	24	17	50	-	-	-	103	158	216	283	-	-	17900	2110
	2.5	25.0	50	90	29	21	50	-	-	-	-	133	181	238	322	-	22350	2630
	3.0	30.0	58	120	36	25	63	-	-	-	-	-	151	198	268	347	26800	3160
2000	1.0	12.0	27	42	13	10	32	-	-	100	161	246	336	-	-	-	11200	1320
	1.5	18.0	38	60	19	14	40	-	-	-	114	175	239	313	-	-	16750	1980
	1.75	21.0	44	71	23	16	50	-	-	-	98	151	206	270	-	-	19550	2300
	2.0	24.0	49	85	27	19	50	-	-	-	-	136	185	242	329	-	22350	2630
	2.5	31.0	60	103	34	24	63	-	-	-	-	111	151	198	268	-	27950	3290
	3.0	37.0	73	142	43	30	100	-	-	-	-	-	124	163	220	285	33500	3950

- Note:
- The data shown above may vary based on elevator specification arrangement.
 - Earthing wires shall be arranged and installed based on local elevator code requirement.
 - The data shown above is when power supply is 400Vac, 50Hz.
 - Please contact us for over 3.0m/s.

FUJITEC
www.fujitec.com